

PACK CONTENTS

1 x OS-BASE
4 x Alloy spacers
4 x M8 55mm bolts
4 x KTM RACK LOOPS
4 x M6 20mm bolts

TOOLS REQUIRED

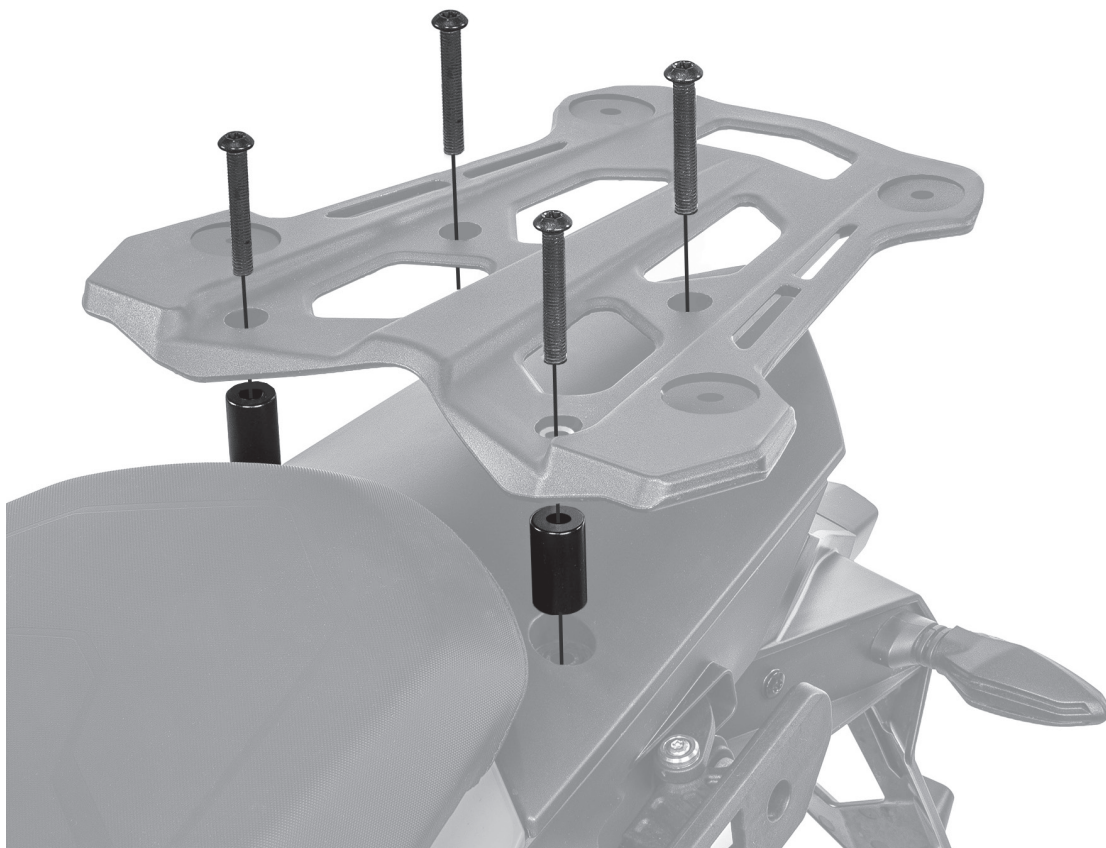
Torx driver T-40
Torx driver T-15
Thread Lock



BEFORE YOU CAN FIT THE OS-BASE TO THE BIKE YOU WILL NEED TO MAKE SOME MINOR ADJUSTMENTS TO THE BIKE HARDWARE

Remove the 4 bolts holding the KTM baggage carrier and passenger grips. Remove the passenger grips and replace with the 4 x alloy spacers and 55mm M8 bolts included. This will raise the height of of the baggage carrier to improve access for fitting the OS-BASE straps.

If you wish to mount a centre pack, see the back page for details on fitting the KTM Rack Loops before you bolt down the KTM baggage carrier.



FIT A PAIR OF OS-ADV PACKS TO THE OS-BASE BEFORE INSTALLING THE COMPLETE SET-UP ON THE BIKE.

Choose a pair of OS-PACKS to meet your carrying capacity requirements:

- 2 x OS-6 = 12 litres
- 2 x OS-12 = 24 litres
- 2 x OS-18 = 36 litres

The modular system allows packs to be changed out to suit your riding needs. There are also options to add an additional centre pack (see **fig B**) or mount one of the OS-PACKS as a stand alone pack for single day rides without the OS-BASE.



To fit an OS-PACK start by threading the roll-top quick release strap through the top loop. (see **fig A**)

Push the top 2 loops on the rear of the bag through the top 2 slots on the OS-BASE and hook-on the compression straps.

Push the bottom 2 loops on the rear of the bag through the corresponding 2 slots on the OS-BASE depending which size pack and hook-on the compression straps.

Then repeat on the other side. Once the OS-PACKS are connected, you have your SET-UP ready to fit onto the bike.

fig A



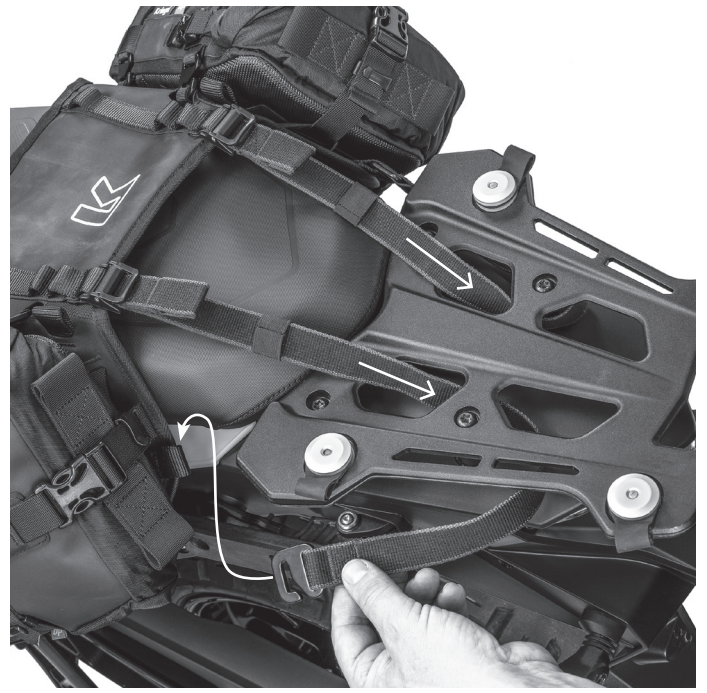
TOP LOOP

EXAMPLE OS-6 FITTING

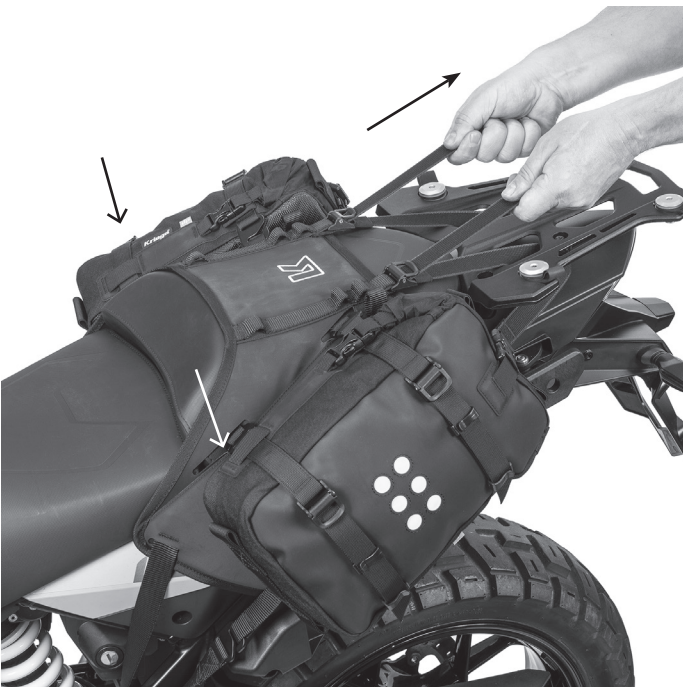
MOUNTING OS-BASE SET-UP ON THE BIKE



1 Lay the OS-BASE over the motorcycle seat, forward from the final fitting position. Pass the front hook strap under the cross member on the frame and attach the hook to the web loop so the hook is pointing down. Repeat on the other side.



2 Set the top straps to the longest length and slide the elastic loop near to the buckle. Pass a top strap down through the opening on the baggage carrier and around the rear alloy spacer and hook to the web loop, with the hook pointing down. Repeat on the other side.



3 Standing at the rear of the bike hold both loose straps ends and pull until the OS-BASE is firmly mounted on the seat. A strong tap downwards on each OS-PACK will help the OS-BASE slide further onto the seat.



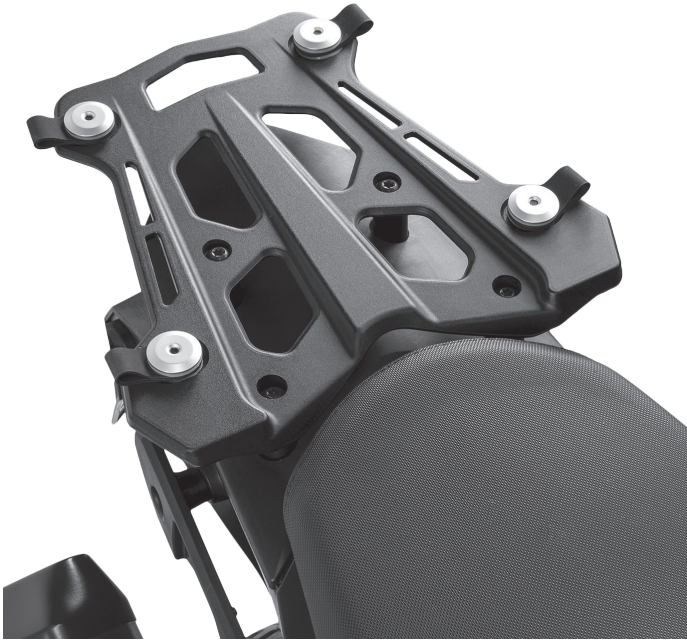
4 Once the OS-BASE is tight on the seat, fold over the loose strap ends and place them in the elastic loops.

You are ready to go.

To remove, simply loosen the straps and unhook, the complete set-up is off the bike in seconds.

MOUNTING A CENTRE PACK

The KTM Rack Loops included bolt-on to the KTM baggage carrier and provide 4 hook-on points for a stand alone OS-PACK or US-Drypack.



To fit, remove the KTM baggage carrier. Add thread lock to the 20mm M6 screws and insert from the underside. Mount the KTM Rack-loops as shown in the diagram below.

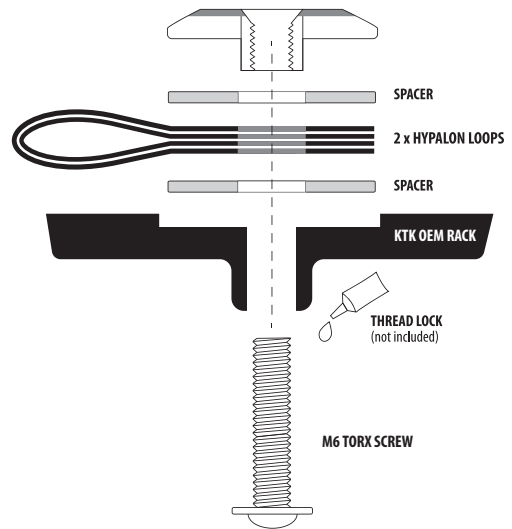
IMPORTANT:

DO NOT OVER TIGHTEN : The hypalon loops need to rotate to function correctly.

ALLOW THE THREAD LOCK TO CURE BEFORE USE (24hrs)

Used in conjunction with the additional loops on the OS-BASE they provide various mounting locations for a 3 or more bag set-up.

fig B



BODYWORK DAMAGE DISCLAIMER

Even though most of the OS-BASE mounts on the seat, the sides can rub against the plastic side panels of the bike, resulting in minor abrasion. This can be further exaggerated if mud and dust get in between the OS-BASE and the plastics. We strongly recommend applying a clear adhesive protective sheet to where abrasion may occur on your motorcycle.

It is the owner's responsibility to ensure the OS-BASE is attached in such a way that it does not damage or put at risk the owner or the property of the owner. Do not exceed the UK legal speed limit. This product has only been tested for up to UK road legal speeds.

Kriega®